



MZC Multizone  
Marketing Brochure  
[Aermec.us](http://Aermec.us)

# MZC Multizone

Plenum with motorized dampers for zone and air control

Multizone plenum for controlling the flow rate of the air

Available for both ON/OFF (PSC) and inverter (ECM) fans

Ideal for residential and commercial applications



# Characteristics


## Important Characteristics of the MZC

- MZC has been designed for residential and commercial applications
- The unit combines environmental comfort with excellent energy savings
- MZC adjusts the flow rate of the air along with the damper position to create a comfortable environment
- MZC is designed to be combined with fan convectors that have asynchronous and brushless motors which are arranged for the distribution of air renewal

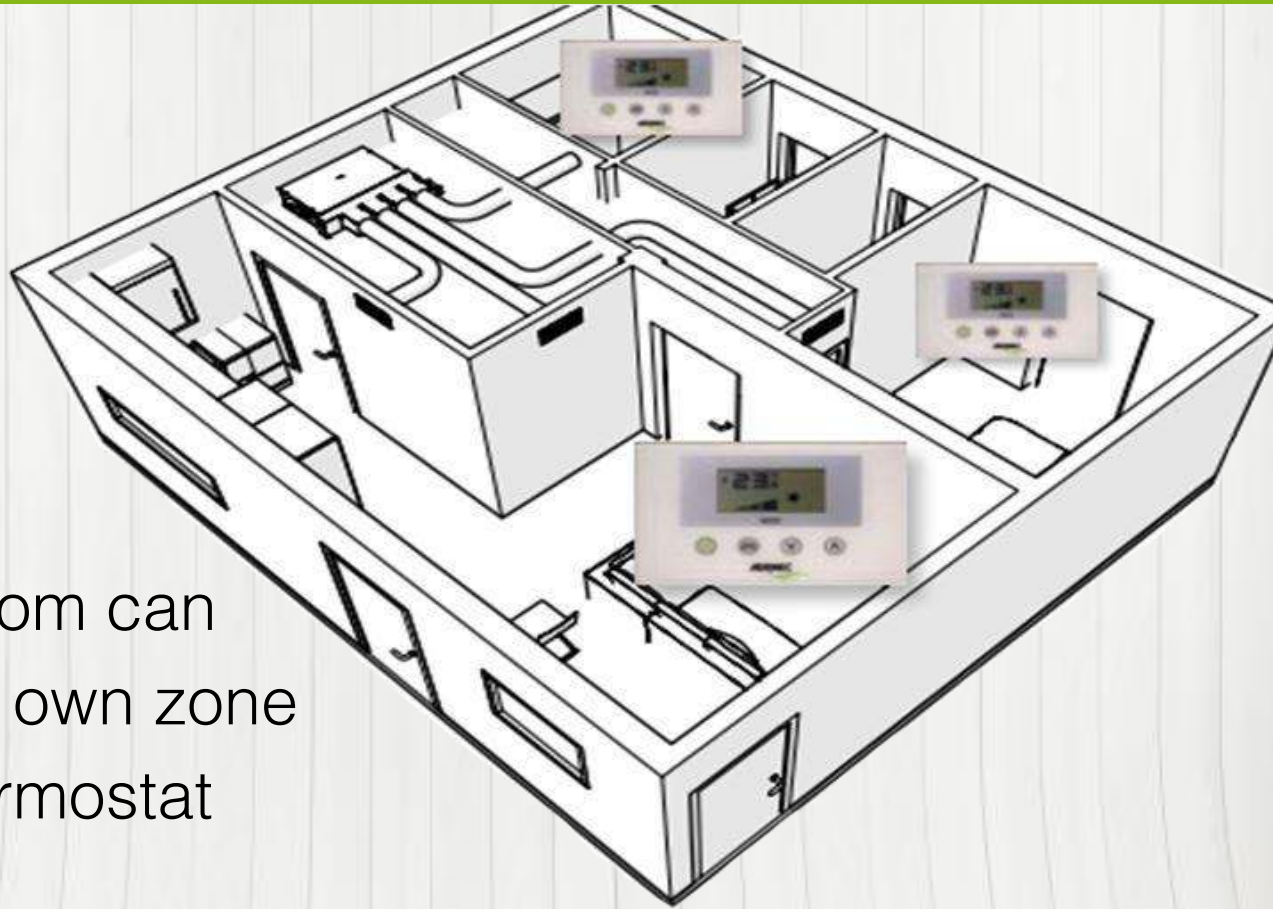
## Distinctive Features of the Structure

- Galvanized frame with insulation on the outer casing
- From 2 to 6 inlet zone controllers depending on the model. Each zone controller is provided with a motorized damper. The fan coil may require a MZCSM accessory (option not available on all models, see compatibility)
- Flange for fresh air, supplied as standard, to connect the plenum MZC to heat a recovery ventilator
- Ability to install an additional Air Probe (MZCSA) accessory for the control of modulating valves or pressure

## Independent Distinctive Features

- Possibility of installing the plenum in the intake (return air) of the fan coil through flanges MZCA (attachment)
  - Electrical box reversible (RH, LH)
- 

# Characteristics



Each room can have its own zone and thermostat

## Adjustment

- MZC is accompanied by a thermostat (MZCUI) zone for the setting of the set temperature. The state of the damper (open / closed) is regulated by the temperature set on each room
- Management of maximum 6 motorized dampers
- Flow control for each damper (each output can be set to the maximum opening and minimum damper)
- Ability to bind the control to more dampers at the request of the same thermostat (MZCUI or WT10)
- Enable the function "suction plenum"
- Possibility to parameterize the controller through the serial line supervision

# Accessory Compatibility

## MZCAC

- Cable for connecting the fan coil to a brushless motor

## MZCBC

- Electrical system required for connection of the MZC plenum with a fan coil including a brushless motor

## MZCSM

- Single module with motorized damper for all models except the MZC220

## MZCUI

- Zone thermostat

## MZCA

- Adapter flange for the installation of the plenum also in the intake of the fan convector

## WT10

- Wireless thermostat

## WR10

- Receiver to two wireless channels for WT10

## MZCSA

- Air probe for the control of modulating valves or pressure

## VMF-VOC

- Accessory for the detection of air quality

# Compatibility of the MZC Plenum

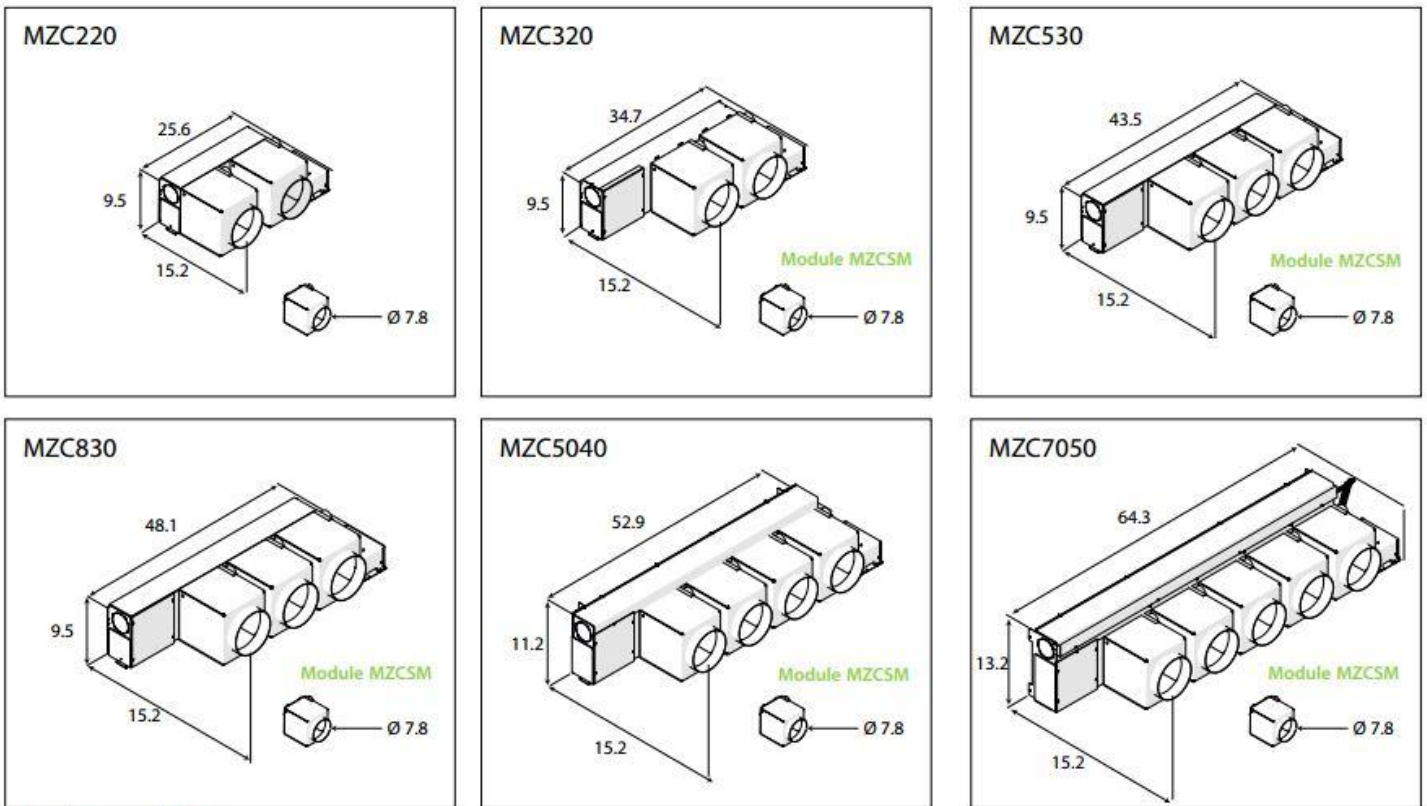
## Compatibility of the MZC Plenum with Aermec Fan Convectors

Model	Number of Dampers	FCXUSPO	FCXIUSP	FCZUSPO	FCZIUSP	VED	VEDI
MZC220	2	22-24	20-24	200-201- 202-250	200-201- 202-250	-	-
MZC320	2*	32-34-36	30-34-36	300-301- 302-350	300-301- 302-350	-	-
MZC530	3*	42-44-50-54-56	40-44-50-54-56	400-401- 402-450- 500-501- 502-550	400-401- 402-450- 500-501- 502-550	-	-
MZC830	3*	62-64-82-84	80-84	600-601- 602-650- 800-801- 802-850	700-701- 702-750- 900-901- 950	-	-
MZC5040	4*	-	-	-	-	430-432- 440-441- 530-530- 540-541	530- 532- 540- 541
MZC7050	5*	-	-	-	-	630-632- 640-641- 730-732- 740-741	730- 732- 740- 741

\*If the plant should require, it is possible to also add in a second time a single module of MZCSM delivery (accessory)

# Dimensions

## MZC Multizone Dimensions



Unit of measure: inches



AERMEC

AERMEC

Aermec North America

1608 Bonhill Road  
Mississauga • Ontario • L5T 1C7  
US: 1-888-567-2227  
Canada: 1-800-567-2221

